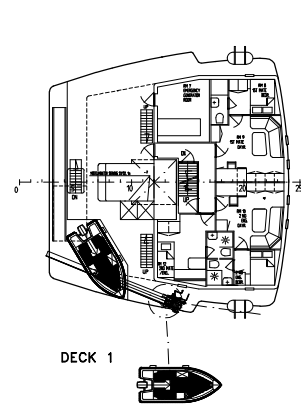
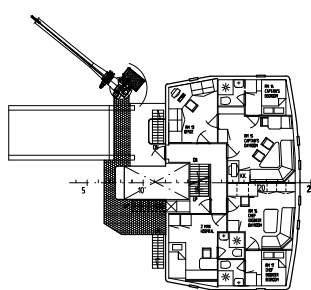


POOP DECK

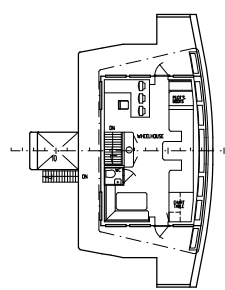
FORECASTLE DECK



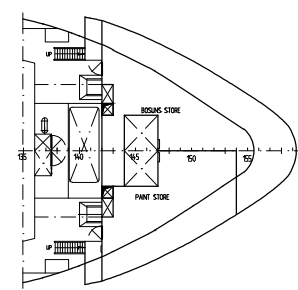
DECK 1



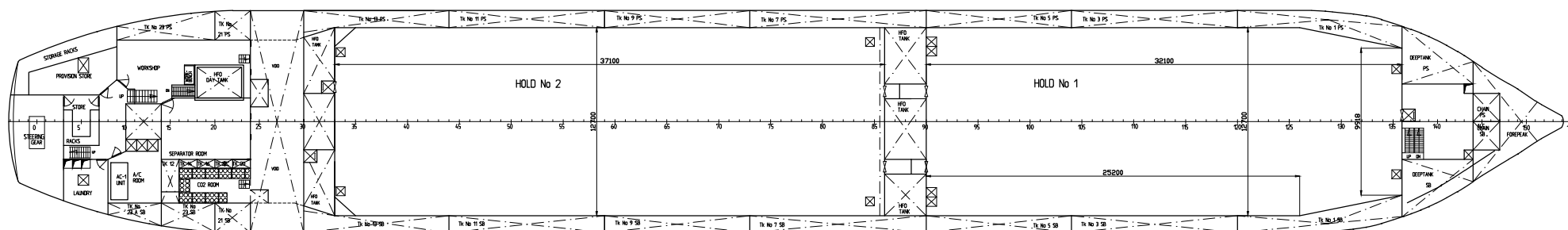
DECK 2



WHEELHOUSE DECK



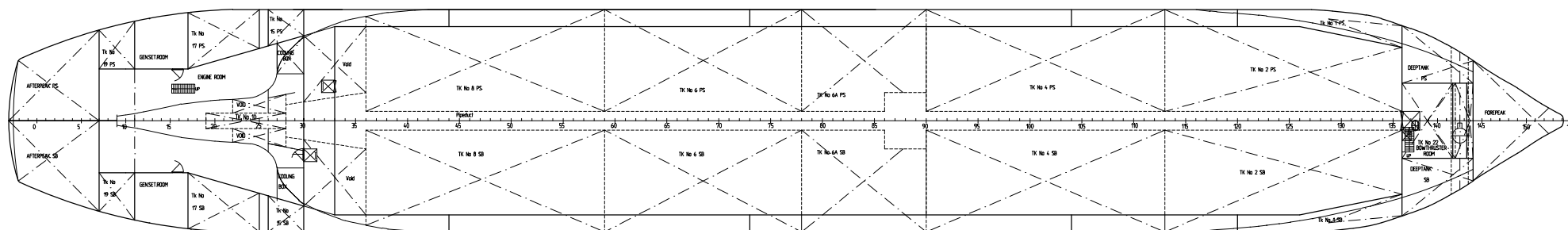
MAIN DECK



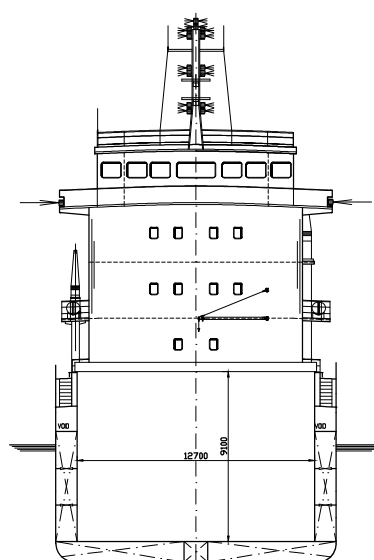
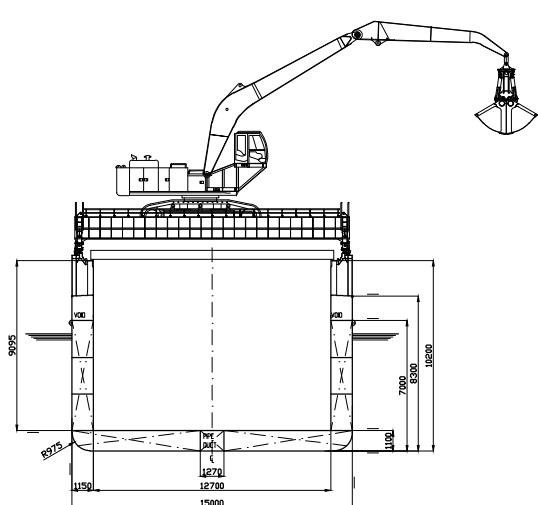
TWEENDECK

HOLD

PLATFORM



DOUBLE BOTTOM



PRINSIPAL DIMENSIONS

LENGTH OVER ALL	109,150 m
LENGTH BETWEEN P.P.	102,410 m
BREADTH MLD.	15,000 m
DEPTH TO MAIN DECK	8,300 m
DRAUGHT	6,251 m

M/S "NORBRIS"
GENERALARRANGEMENT

Karmøy
Skipsconsult as

P.O.Box 162 - N-4297 SKUDENESHAVN - Phone 5284 6000 - Fax 5284 6001

Scale: Drawn: 25.10.12

1:200 gk

Trac:

Checked:

Replacement for: Replaced by:

Drawing no.: Rev:

1926-519

Filename: T:\SKP\Norbris\1926-519 Generalarrangement.dwg