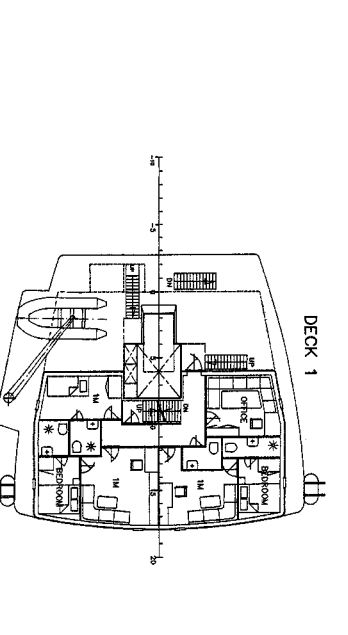
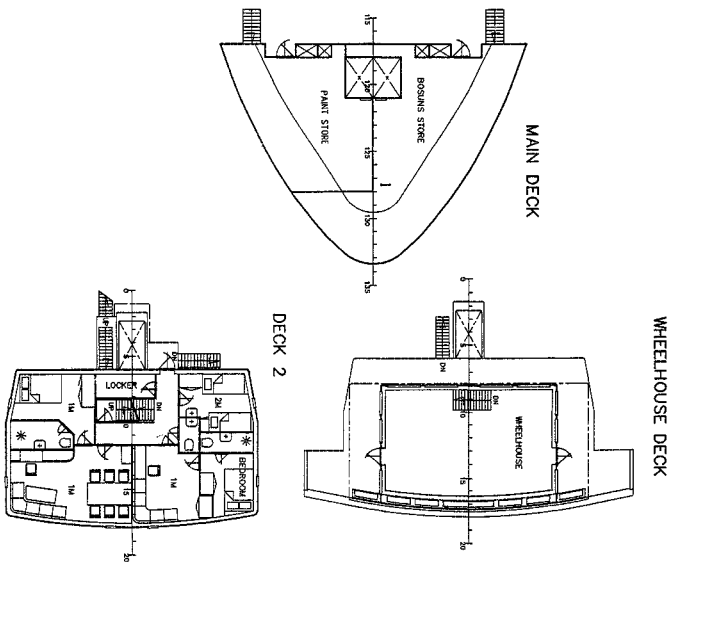
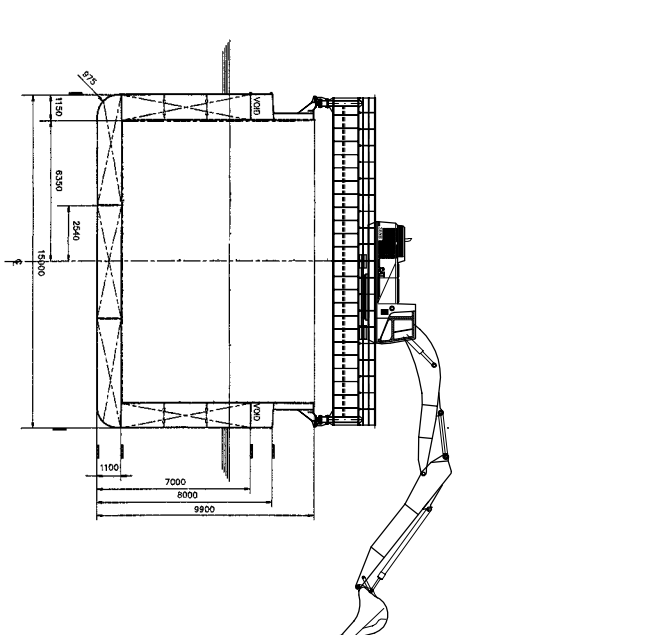
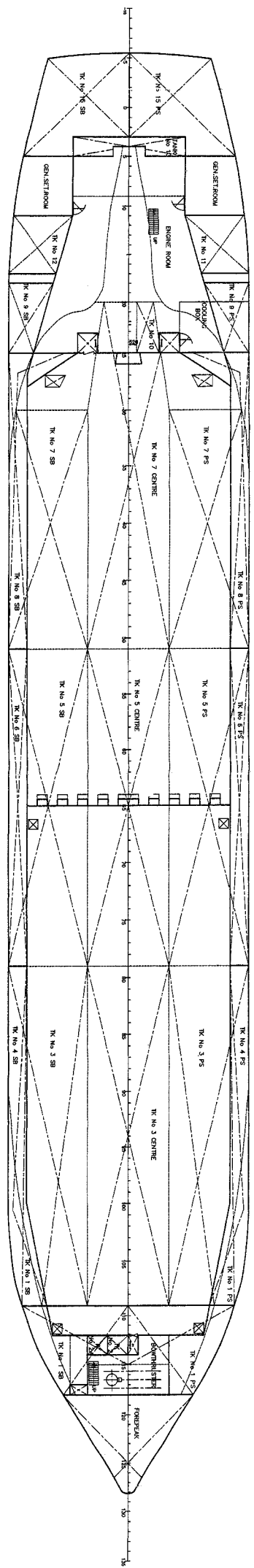
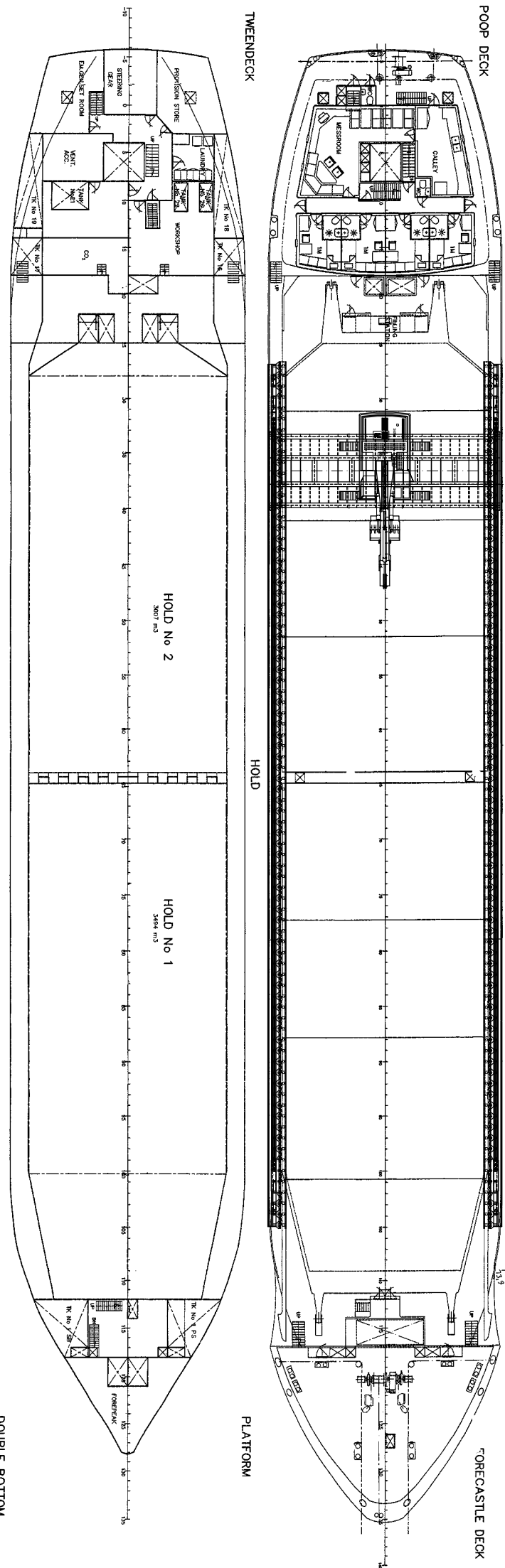
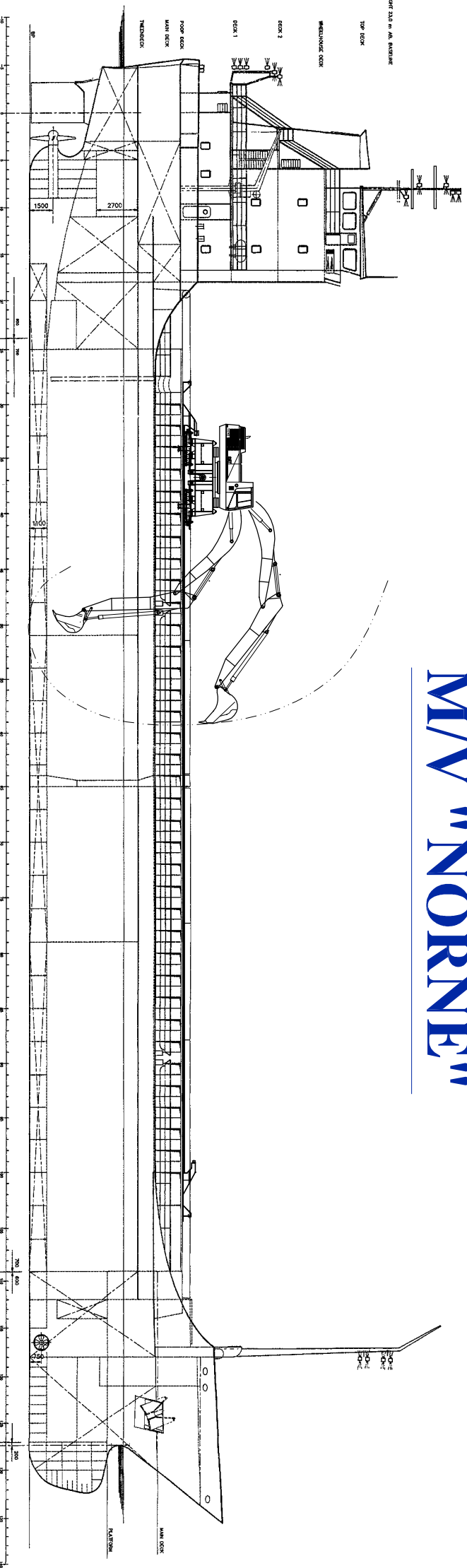


M/V "NORNE"



MAIN DIMENSION:

LENGTH OVER ALL (LOA) 93,200 m
 LENGTH BETWEEN PERP. (LPP) 84,900 m
 BREADTH MOULDED 15,000 m
 DEPTH 8,000 m
 DRAUGHT MOULDED 6,090 m
 DEADWEIGHT 4,750 TON
 IMO NO. 9082403
 LTR. SIGN. Z D G O 2
 YEAR OF BUILD. 1996
 BUILD NO. N0420001, AT SEVERNAY SA, TURNU-SEVERN
 GROSS TONNAGE 3443 T

CAPACITIES:

FUEL GASOL 6120 T
 MDO 18230 T
 OIL 14,70 T
 FRESH WATER 64,80 T
 FORE CARGO HOLD 3370 m³
 AFT CARGO HOLD 3005 m³
 HEAVY CARGO 15 T / sqm
 HATCH: HA1 32,00 x 12,70 HA2 27,00 x 12,70

MISCELLANEOUS:

MAIN ENGINE: WÄRTSILÄ TYPE 6R32E
 ENGINE OUTPUT: 2460 KW
 ENGINE SPEED: 750 RPM
 SPEED / CONSUMPTION: 12 KN 8 T/D
 EXCAVATOR: CATERPILLAR 365B
 EQUIPMENT NUMBER (GL): Z-847
 CLASS: +100AS, E3 +MC E3 AUF Finnish Ice 1A

Date	Text
 Karmøy Skipsconsul AS Postboks 102 - 4297 SKUDENESHAMN - Telefon 02 04 60 00 Telex 02 04 60 00	
M/V "NORNE" GENERAL ARRANGEMENT	
Sheet No.	1175
Scale	1:100
Year	1915-154



M/V "NORNE"

Selfdischarger, Box-shaped, folding hatchcovers, 1 movable steel bulkhead equipped with CO2 and for the transport of dangerous goods.

FLAG: Gibraltar

CLASS: GL +100A5, E3 +MC E3 AUT

FINNISH ICECLASS: 1A1

CALLSIGN: ZDGO2

GT / NT: 3443 / 1829

LENGTH: 93,45 m

BREADTH: 15,00 m

LOADED DRAFT: 6,10 m

DEADWEIGHT: 4.835 MT

CAPACITY: ca. 230.500 CBF G/B

CONTAINER CAPACITY: TTL 262 TEU
(132 TEU in holds / 130 TEU on deck)
12 Reefer containers

SPEED: abt. 12.5 Knots

ENGINE POWER: 2460 KW

2 HATCHES: 1) 32,00 m x 12,70 m
2) 27,00 m x 12,70 m

2 HOLDS: As a above, hight 8,80 m

The Norne moving though ice



